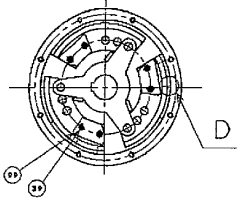
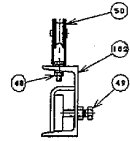


1 2 3 4 5 6

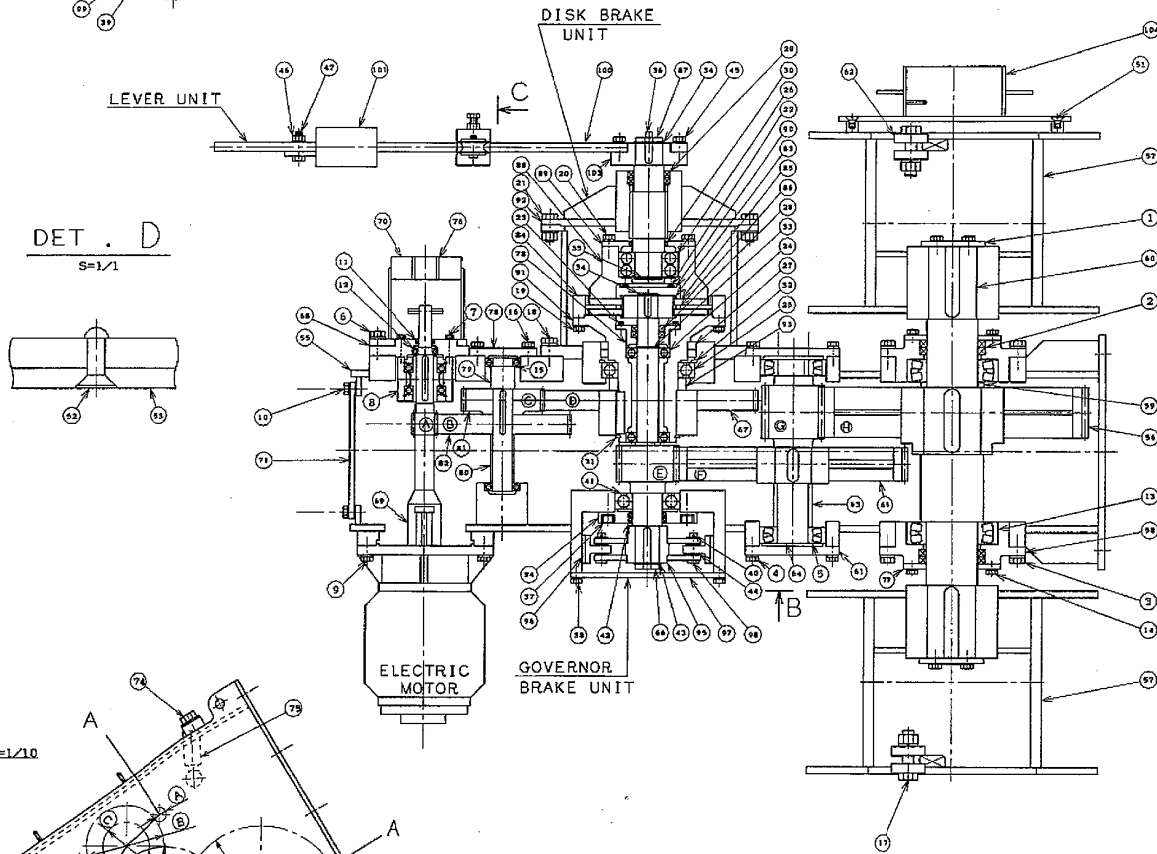
SEC . B



SEC . C

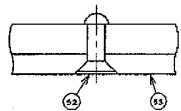


SEC . A-A

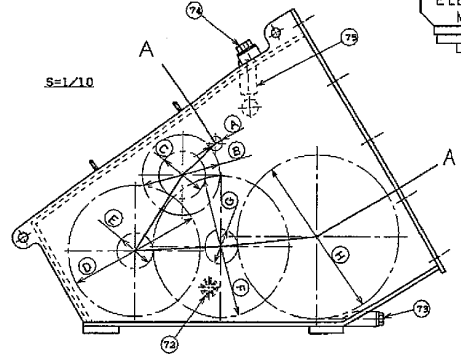


DET . D

S=1/1



S=1/10



GEAR TABLE

MARK	M	NT	PCD	B	MATERIAL
A	3	14	42	40	S45C (H)
B		79	237	35	SM490
C	4	35	140	40	S45C (H)
D		96	384	35	SM490
E	5	21	105	65	SCM440 (H)
F		83	415	60	S45C (H)
G	6	17	102	95	SCM440 (H)
H		80	480	90	S45C (H)

DATE	HISTORY OF D.	REV.	DATE	REMARKS	ITEM	DR	D	C	K	B

MARK	TITLE	No/SET	REMARKS
55	CASING	1	
56	SPUR GEAR	1	
57	DRUM	2	
58	COVER	2	
59	COLLAR	1	
60	SHAFT	1	
61	BEARING COVER	2	
62	BRACKET	2	
63	COLLAR	1	
64	SPUR PINION SHAFT	1	
65	SPUR GEAR	1	
66	SPUR PINION SHAFT	1	
67	SPUR GEAR	1	
68	COVER	1	
69	SPUR PINION SHAFT	1	
70	COVER	1	
71	COVER	1	
72	OIL GAUGE	1	
73	PLUG	1	
74	PLUG	1	
75	VENTILATOR	1	
76	BUSH	1	
77	COVER	2	
78	COVER	1	
79	SHAFT	1	
80	COLLAR	1	
81	SPUR PINION	1	
82	SPUR GEAR	1	
83	HOLDER	1	
84	CASING	1	
85	FRICTION PLATE	2	
86	PLATE	1	
87	SHAFT	1	
88	SHIFTER	1	
89	BEARING COVER	1	
90	COVER	1	
91	SHAFT	1	
92	CASING	1	
93	COLLAR	1	
94	BEARING COVER	1	
95	HOLDER	1	
96	DAMPER	3	
97	COVER	1	
98	PIN	3	
99	WEIGHT	-	
100	LEVER	1	
101	WEIGHT	1	
102	BRACKET	1	
103	BOSS	1	
104	REMO-CON DRUM	1	

TYPE: TC-EB-4. 0L2-*

MANAGER	MESSRS	S.N.O.
CHIEF	PROJECT NAME	ORDER NO.
SUB CHIEF		
IN CHARGE	BOAT WINCH	SCALE
DRAWN	PARTS LIST	1/6
DATE		PROJECTION
		THIRD ANGLE
		DATE
		H17. 6. 7
TSUJI HEAVY INDUSTRIES CO.,LTD.		D.N.O.
		M42921