

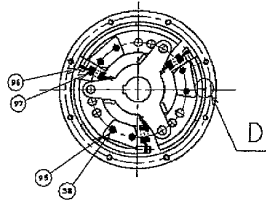
DATE	HISTORY OF D.	REV. DATE	REMARKS	ITEM	DR	D	C	K	B

GEAR TABLE

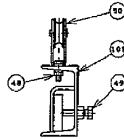
MARK	M	NT	PCD	B	MATERIAL
C	4	35	140	40	S45C (H)
D		96	384	35	SM490
E	5	21	105	65	SCM440 (H)
F		83	415	60	S45C (H)
G	6	17	102	95	SCM440 (H)
H		80	480	90	S45C (H)

MARK	TITLE	No/SET	REMARKS
54	CASING	1	
55	SPUR GEAR	1	
56	DRUM	2	
57	COVER	2	
58	COLLAR	1	
59	SHAFT	1	
60	BEARING COVER	2	
61	BRACKET	2	
62	COLLAR	1	
63	SPUR PINION SHAFT	1	
64	SPUR GEAR	1	
65	SPUR PINION SHAFT	1	
66	SPUR GEAR	1	
67	COVER	1	
68	SPUR PINION SHAFT	1	
69	COVER	1	
70	COVER	1	
71	OIL GAUGE	1	
72	PLUG	1	
73	PLUG	1	
74	VENTILATOR	1	
75	BUSH	1	
76	COVER	2	
77	MOTOR SUPPORT	1	FOR RESCUE
78	BEARING COVER	1	
79	HOLDER	1	
80	CASING	1	
81	FRICTION PLATE	2	
82	PLATE	1	
83	SHAFT	1	
84	SHIFTER	1	
85	BEARING COVER	1	
86	COVER	1	
87	SHAFT	1	
88	CASING	1	
89	COLLAR	1	
90	BEARING COVER	1	
91	HOLDER	1	
92	DAMPER	3	
93	COVER	1	
94	PIN	3	
95	WEIGHT	-	
96	BOLT	3	FOR RESCUE
97	SPRING	3	FOR RESCUE
98	BOLT	3	FOR RESCUE
99	LEVER	1	
100	WEIGHT	1	
101	BRACKET	1	
102	BOSS	1	
103	REMO-COIN DRUM	1	

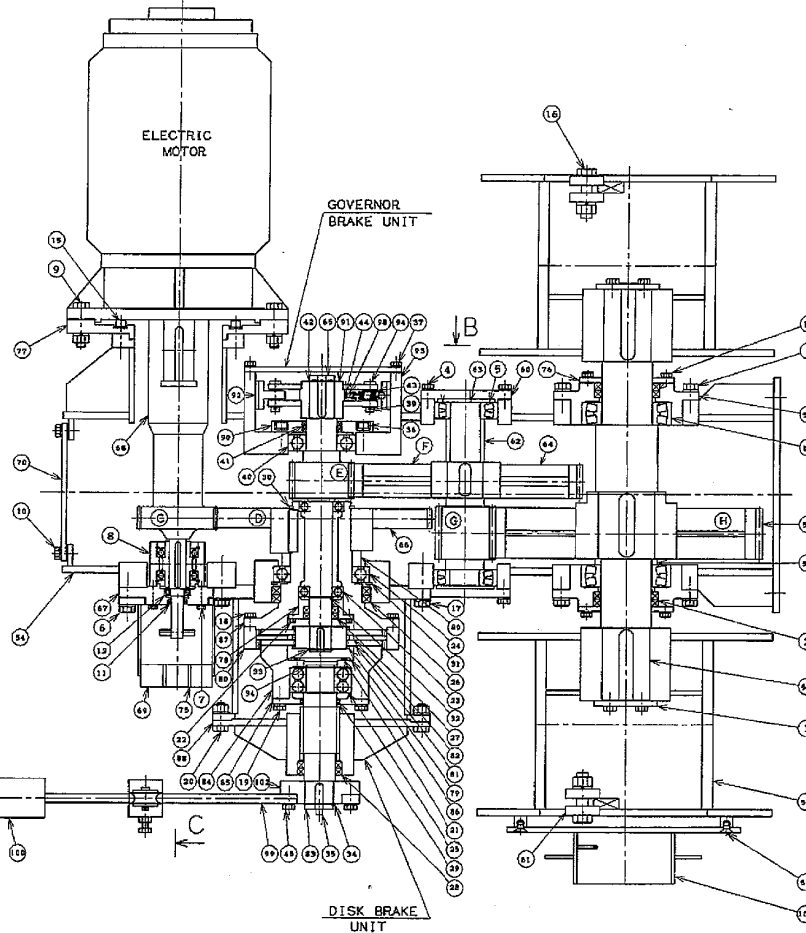
SEC. B



SEC. C

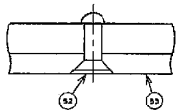


SEC. A-A

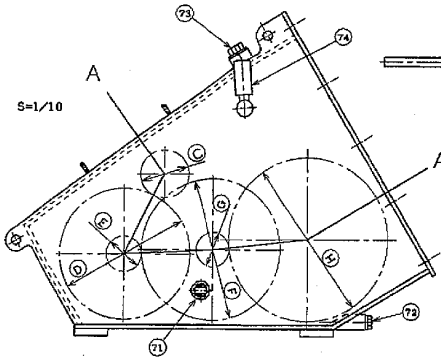


SEC. D

S=1/1



S=1/10



TYPE: TC-EB-4. OR2-*

MANAGER	MESSRS	SND.
CHIEF	PROJECT NAME	ORDER NO.
SUB CHIEF		
IN CHARGE	BOAT WINCH	SCALE
DRAWN	PARTS LIST	1/6
		THIRD ANGLE
		DATE
		H17. 6. 8
TSUJI HEAVY INDUSTRIES CO.,LTD.		DND.
		M42922
		A2 (1/3) 頁