



# KUMKANG PRECISION CO.,LTD

NO.2 FACTORY  
#1505-9, DADAE-DONG SAHA-GU BUSAN KOREA  
TEL. : (051) 262-4896/4869  
FAX. : (051) 262-4895  
e-mail : kumkang20@korea.com

- FOR APPROVAL
- FOR WORKING
- FOR FINAL
- FOR REFERENCE

TO : SLS    DATE : Jan.19.2010  
 PROJECT : SAS-490  
 CLASS : D.N.V  
 REF NO : KST-004  
 OWNER : SLS  
 NAME : MAIN AIR RESERVOIR(5.0M<sup>3</sup> x2)  
          SERVICE AIR RESERVOIR(1M<sup>3</sup> x1)  
          AIR BOTTLE FOR EM'CY SHUT-OFF VALVES(100L)

## REVISION CONTROL SHEET

PAGE	ISSUE DATE	REVISION DATE	DESCRIPTION	APPROVED BY
ALL	Jan.19.2010		FOR FINAL	

THIS REVISION SHEET HAS BEEN PREPARED AND APPROVED FOR USE

PREPARED BY J. S. HWANG  
NAME

Jan.19.2010  
DATE

APPROVED BY J. M. KIM  
NAME

Jan.19.2010  
DATE



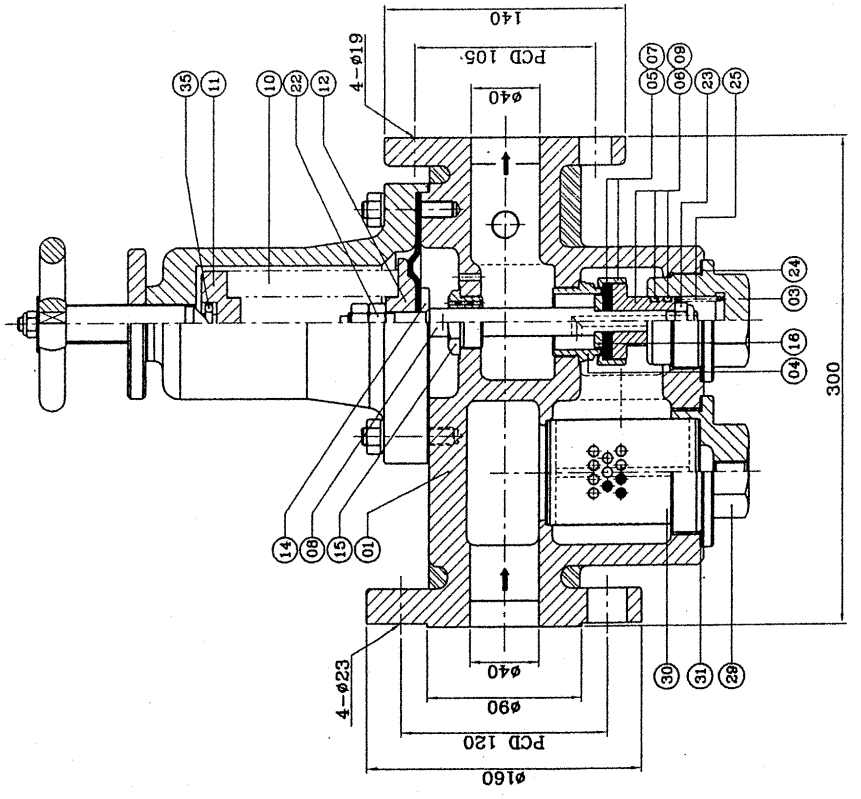
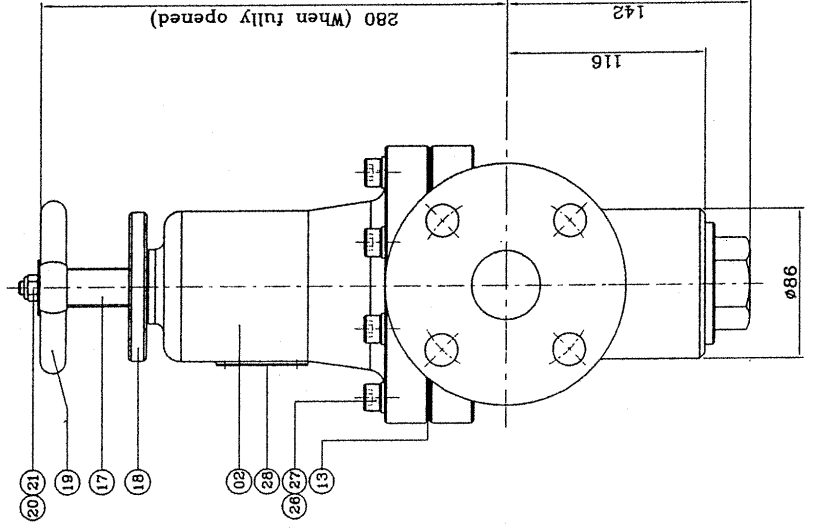
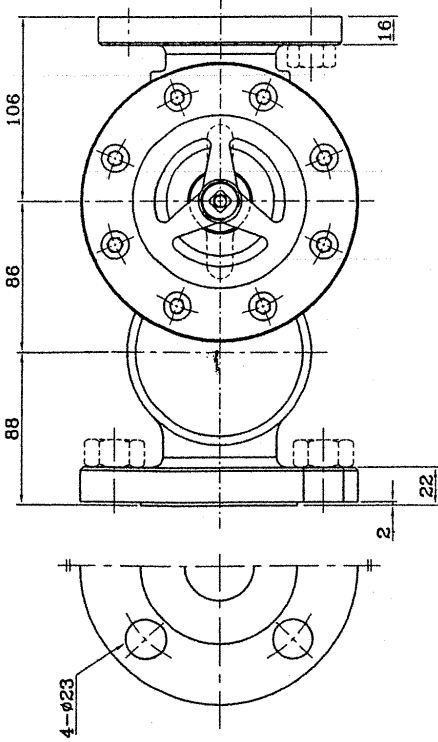
(주) 금 강 정 밀

APPROVED	CHECKED	DRAWN	DATE	DESCRIPTION	REV.
					△

**\*SPECIFICATION\***

NO	PART NO.	INLET FLANGE				OUTLET FLANGE				REMARK		
		φD	φC	N	φh	φD	φC	N	φh			
1		160	120	90	4	23	140	105	-	4	19	

- 2. TEST PRESSURE : 45 Bar
- 3. AIR INLET PRESSURE : Max. 33 Bar
- 4. AIR OUTLET PRESSURE : 7-11 Bar
- 5. MEDIUM : COMPRESSED AIR
- 6. Max. WORKING TEMPERATURE : 60 °
- 7. STRAINER FINENESS : 320 Micron (40 Mahe)



NO	DESCRIPTION	QTY	UNIT	REMARK
35	BEARING	1		WBC5100
31	GASKET	N/A		
30	STRAINER	SUS304	1	STRAINER
29	BOTTOM CAP	C3771	1	
28	NAME PLATE	C2600-F	1	
27	SPRING WASHER	SUS304	8	
26	SOCKET BOLT	SUS304	8	
25	SPRING	SUS304	1	
24	GASKET	N/A	1	NON-ASBESTOS
23	STEM LOCK NUT	SS400	2	
22	NYLON NUT	SUS304	1	
21	NAME PLATE	AI-P	1	
20	NYLON NUT	SS400	1	
19	HANDLE	FC200	1	φ100
18	LOCK NUT	SS400	1	
17	ADJUST SCREW	S45C	1	
16	DISC GLAND	SUS304	1	
15	STEM GUIDE NUT	C3604	1	
14	DIAPHRAGM WASHER	S45C	1	
13	DIAPHRAGM	NBR	1	
12	B. SPRING SEAT	S45C	1	
11	T. SPRING SEAT	S45C	1	
10	SPRING	SWP	1	DM60x100
09	O-RING	VITON	2	
08	STEM	SUS304	1	
07	DISC LOCK COVER	SUS304	1	
06	DISC HOLDER	SUS304	1	
05	DISC	NBR	1	
04	SEAT	SUS304	1	
03	BOTTOM CAP	C3771	1	
02	BONNET	FCD450	1	
01	BODY	SC480	1	

APPROVED		CUSTOMER		PROJECT	
BY	I. S. KIM	STX & ENPACO	NO. REQUIRED	SETS / SHIP	PROJECT
CHECKED					
BY					
DRAWN	D. S. KIM				
DATE	2007.08.02				
TITLE		SCALE		PRESSURE REDUCING VALVE UNIT 30K-40A	
STD NO.		N/S		DWG. NO. V4037A	
KUMKANG PRECISION IND. CO., LTD. BUSAN, KOREA					
REV. 0					