

APPROVED	CHECKED	DRAWN	DATE	DESCRIPTION	REV.
					△

**\*SPECIFICATION\***

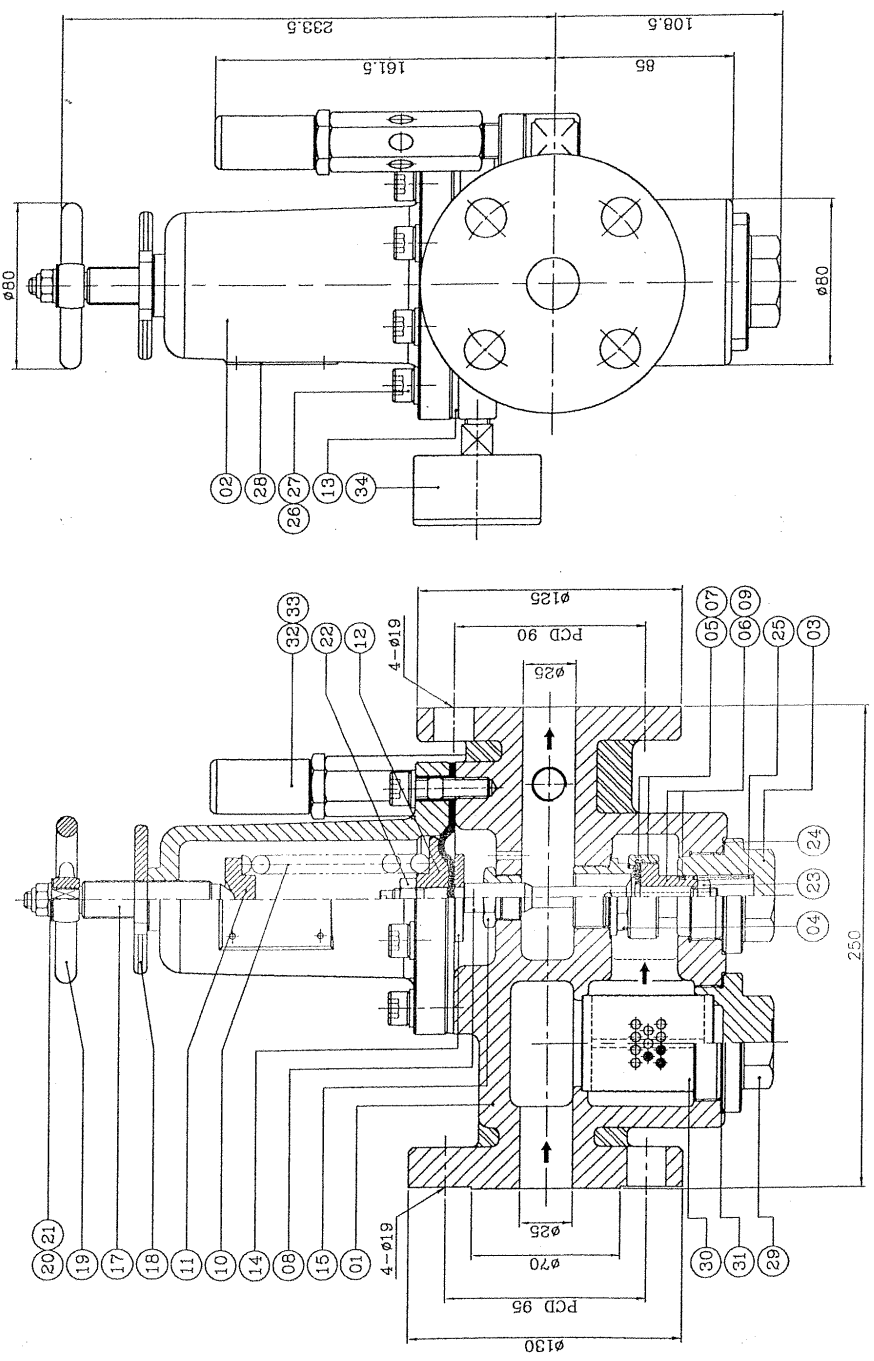
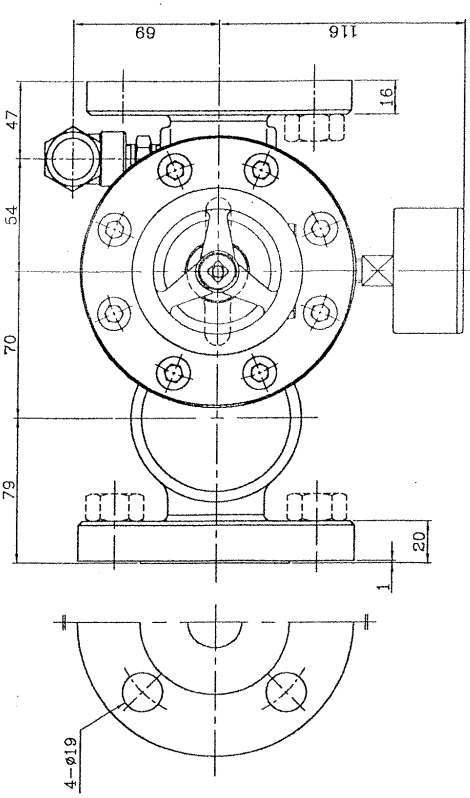
NO	PART NO.	INLET FLANGE				OUTLET FLANGE				REMARK
		φD	φC	φE	N	φD	φC	φE	N	
1		130	95	70	4	19	125	90	4	19
		30K-25A				16K-25A				

- TEST PRESSURE : 45 Bar
- AIR INLET PRESSURE : Max. 32.4 Bar
- AIR OUTLET PRESSURE : 7-10 Bar
- MEDIUM : COMPRESSED AIR
- Max. WORKING TEMPERATURE : 60 °
- STRAINER FINENESS : 320 Micron (40 Mahe)
- SAFETY VALVE SET PRESSURE : 7.5 Bar
- PRESSURE GAUGE TYPE : Liquid Filled Type

34	GAUGE	-	1							GSP60D(OIL)
33	L-CONNECTOR	S45C-N	1							
32	SAFETY VALVE	C3771	1	Set						PF3/8"
31	GASKET	N/A	1							
30	STRAINER	SUS304	1							STRAINER
29	BOTTOM CAP	C3771	1							
28	NAME PLATE	C2600-P	1							
27	SPRING WASHER	SUS304	8							
26	SOCKET BOLT	SUS304	8							
25	SPRING	SUS304	1							
24	GASKET	N/A	1							NON-ASBESTOS
23	NYLON NUT	SUS304	1							
22	STEM LOCK NUT	SS400	1							
21	NAME PLATE	Al-P	1							
20	NYLON NUT	SS400	1							
19	HANDLE	FC200	1							
18	LOCK NUT	SS400	1							
17	ADJUST SCREW	S45C	1							
15	STEM GUIDE NUT	C3604	1							
14	DIAPHRAGM WASHER	S45C	1							
13	DIAPHRAGM	NBR	1							
12	B. SPRING SEAT	S45C	1							
11	T. SPRING SEAT	S45C	1							
10	SPRING	SWOSC	1							
09	O-RING	NBR	1							
08	STEM	SUS304	1							
07	DISC LOCK COVER	SUS304	1							
06	DISC HOLDER	SUS304	1							
05	DISC	NBR	1							
04	SEAT	SUS304	1							
03	BOTTOM CAP	C3771	1							
02	BONNET	FCD450	1							
01	BODY	SC480	1							

PART NO.	NAME OF PARTS	MAT'L	WORK QUANTITY	REMARK
	CUSTOMER		NO. REQUIRED	WEIGHT(kg)
	STX & ENPACO		SETS/SHIP	
APPROVED	I. S. KIM		PROJECT	
CHECKED			SCALE	PRESSURE REDUCING VALVE UNIT 30K-25A
DRAWN	D. H. KIM		N/S	
DATE	2004.08.02		ST'D NO.	DWG. NO. V4038A

**K.K. KUMKANG** PRECISION IND. CO., LTD. BUSAN, KOREA



REV. 0