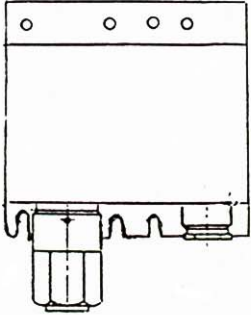
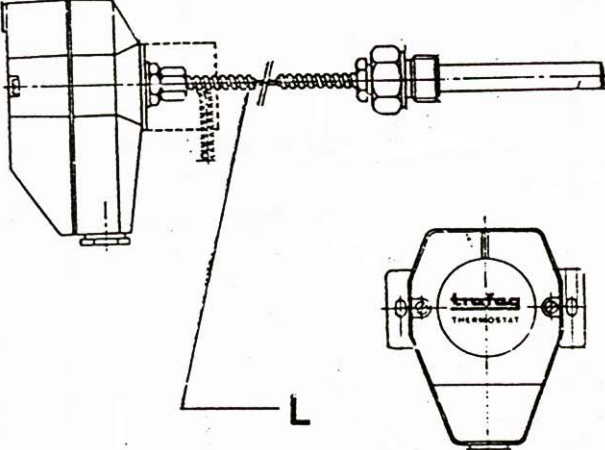
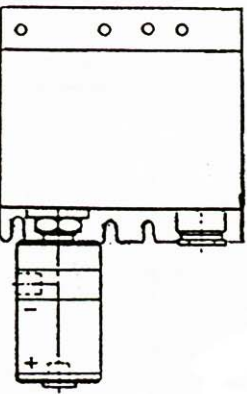


Plate Page 1 (2)	Pressostate, Thermostate Difference Pressostate and Pressure Transmitter	50907-01S
---------------------	---	------------------

L23/30H

Fig. and Description	Range	Code	L	Item No.
 <p style="text-align: center;">Pressostate</p>	<p>0 ~ 6 bar</p> <p>2 ~25 bar</p> <p>1 ~10 bar</p>	<p>PAL 01 PAL 10 PAL 22 PSL 22</p> <p>PAL 70</p> <p>PAL 40</p>		<p>01</p> <p>02</p> <p>03</p>
 <p style="text-align: center;">Thermostate</p>	<p>20 ~ 110°C</p> <p>20 ~ 150°C</p>	<p>TAH 01</p> <p>TAH 12 TSH 12 TAH 22 TSH 22</p>	<p>5M</p> <p>5M</p>	<p>04</p> <p>05</p>
 <p style="text-align: center;">Difference Pressostate</p>	<p>0 ~ 6 bar</p> <p>1 ~10 bar</p>	<p>PDAH 21-22</p> <p>PDAH 43-41</p>		<p>06</p> <p>07</p>

08028-0D/H5250/94.08.12