

REVISIONS			
NO.	DESCRIPTION	DATE	BY
A	REVISED TO CORRECTLY LIST AS A-250	3/20/88	JSC
B	ADDED TITLE, TITLE TAGS, PICS	10/25/88	PSC
C	ADDED NOTES 1, 2, AND 3	04/05/89	PSC
D	REV. NO. 18, WAS 1 3/8 DIA. HEADER	10/07/89	PSC

1	22	CURSOR PIN ASS'Y, TAPE READING	STN.SIL	A-141
1EA	20	BEARING ASS'Y, DRIVE SHAFT & LOCK NUT A-127	STN.SIL	B-112
1	25	GROUNDING CABLE, COILED, 18', W/ALLIGATOR CLP	COPPER	B-72
REF	24	CLAMP, GRINDING CABLE	PLASTIC	
REF	23	GROUND LUG, GAUGING ASS'Y	COPPER	
1	22	RING, LOCKING BAND, "O"-RING #2-353	BRUNN-N	
REF	21	WASHER SCREW LOCK, DRIVE PLT ASS'Y, NYLON TIP	BRASS	A-27
REF	20	CRANK, DRIVE PLATE, BLK, NYLATRON	PLASTIC	A-321
REF	19	NAME PLATE, DRIVE PLATE	NYLON	A-321
REF	10	DRIVE PLATE, BLK, ANODIZED	ALUM	B-320
1	17	DRIVE SHAFT ASS'Y, TAPE REEL	STN.SIL	B-325
1	18	SAMPLING TAPE W/SHAP HOOK & STN.SIL HEADER	ST & WASH. PER ORDER	
1	15	STUB BARREL ASS'Y	STN.SIL	B-330
3	14	SCREW, PAN HD., 10-32NF x 3/8 LG., W/SEAL RING	STN.SIL	
REF	13	TAPE WIPER ASS'Y	STN.SIL	B-269
1	12	VALVE, VAPOR RETURN, SPRING LOADED, P17B166LB	NYLON	
6	11	SCREW, SOCKET HD., 10-32NF x 5/8 LG.	STN.SIL	
1	10	WIPER HOUSING, REF DWG'S D-2562-85, B-2562-86A	ALUM	B-92
1	9	TAPE REEL ASS'Y, NYLON COATED	ALUM	B-324
1	8	ANTI-WIND ASS'Y, SAMPLING TAPE	STN.SIL	B-1025
1	7	SIGHT GLASS ASS'Y, SAMPLING TAPE, GRN ANODIZED	ALUM	A-148
1	5	VALVE, SPRING LOADED, W/ PUSH BUTTON ACTUATOR	BRASS	A-134
1	3	HANDLE, TAPE REEL CASE, BLK., GLASS REINFORCED	PLASTIC	B-314
1	4	CASING, TAPE REEL, NYLON COATED	ALUM	B-316
1	3	GASKET, COVER TO TAPE REEL CASING	NYLON	B-322
B	2	SCREW, PAN HD., W/"O"-RING SEAL, 10-32NF x 5/8 LG.	STN.SIL	B-323
1	1	COVER, TAPE REEL CASING, NYLON COATED	ALUM	B-323

1	34	NAMEPLATE, SAMPLER POSITION REFERENCE	MYLAR	A-186		
1	33	NAMEPLATE, P/V BUTTON	MYLAR	A-82	2	40
1	32	NAMEPLATE, VAPOR RETURN HOSE	MYLAR	A-186	1	39
1	31	NAMEPLATE, CASE, STD. ALL ASS'YS	MYLAR	A-319	1	38
1	30	NAMEPLATE, COVER, PER TAPE LOT	MYLAR	A-335	REF	37
1	29	NAMEPLATES, SIGHT GLASS, METRIC/IMPERIAL	MYLAR	A-318	1	36
1	28	ROLLER, TAPE, ASS'Y, WHITE	NYLON	A-126	1	35
1	26	WASHER, FLAT, # 10	STN.SIL			
1	25	WIPER ASS'Y, SIGHT GLASS	STN.SIL	B-329		
1	24	TAPE HOLD DOWN BAND ASS'Y	STN.SIL	B-328		
1	23	WASHER, BEARINGS, 1.864 O.D. x 1.015 I.D. x 0.021 INK.	STN.SIL			
1	22	WASHER, REEL LOCK	MYLAR	A-57		
1	21	NAMEPLATE, GROUNDING INSTRUCTIONS	MYLAR	A-272-9		

NOTE:
1.) STANDARD LENGTH 30 METER STAINLESS STEEL TAPE, UNLESS OTHERWISE SPECIFIED.
2.) 15-20 METER TEFZEL COATED TAPE FOR CHEMICAL SERVICE, OPTIONAL PER ORDER.
3.) FOR 25-37 METER TEFZEL COATED TAPE USE ASS'Y S-2562-15.

NEXT USED ON DWG. ASSYS:
FIXED-IN-PLACE MMC SAMPLING VALVES A-2562-178 & A-2562-184
SELF CONFIGURED FOR USE WITH STAINLESS STEEL WASH VALVES A-2562-181 & A-2562-141
ADAPTOR AVAILABLE FOR NON-MMC VAPOR CONTROL VALVES

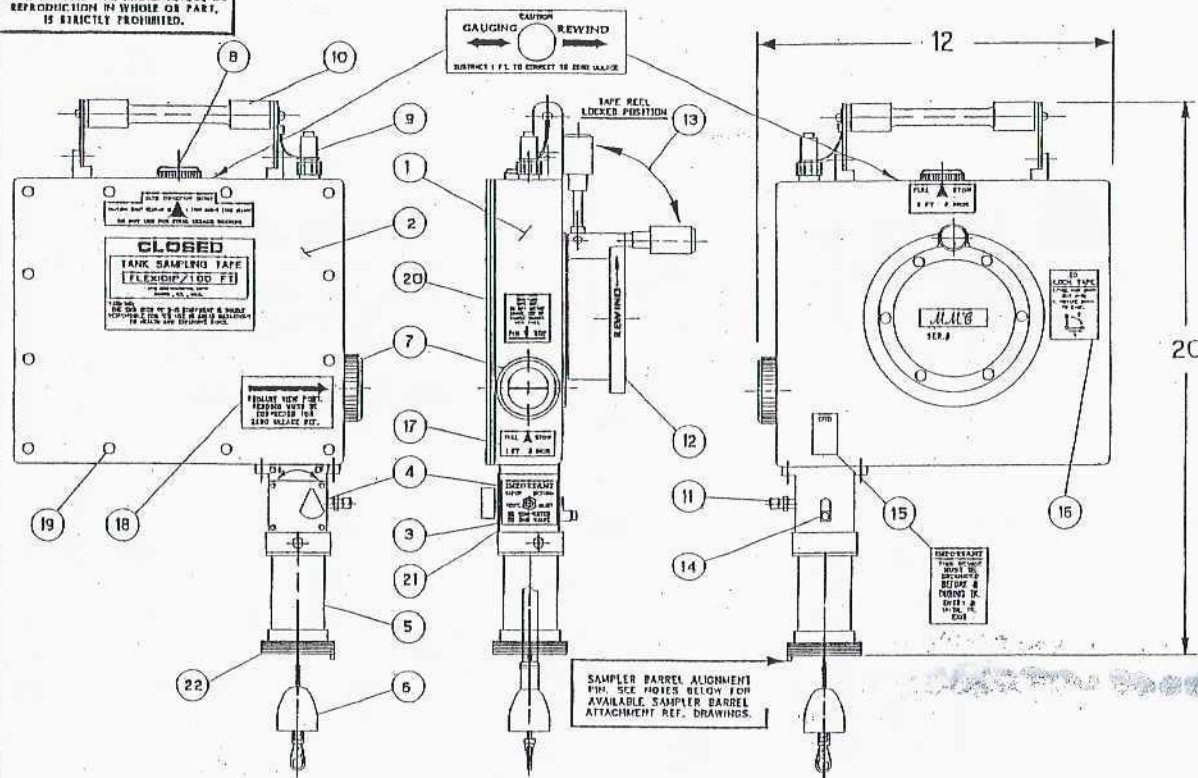
NOTE:
FOR EXTERIOR VIEW AND CONTINUATION OF PARTS LISTING, SEE DWG. D-2562-328. FOR CASING MACHING SEE DWG. D-2562-331

LIST OF MATERIAL
MMC CLOSED SAMPLING UNIVERSAL TAPE REEL HOUSING & STUB BARREL ADAPTOR FOR USE WITH FIXED-IN-PLACE & SELF CONFIGURED MMC SAMPLING VAPOR VALVES

UNAUTHORIZED USE, REPRODUCTION OR DISSEMINATION OF THIS DRAWING IS PROHIBITED WITHOUT THE WRITTEN PERMISSION OF THE PROPERTY OF MMC INTERNATIONAL CORP.
INWOOD, NJ
REV. NO. 18
REV.

DRAWING FILE: D-2562-328
SCALE: NONE
TYPED BY: JH
DATE: 10/15/88
REV. NO. 18
REV. BY: JH

UNAUTHORIZED MFG. MANUFACTURE OR REPRODUCTION IN WHOLE OR PART, IS STRICTLY PROHIBITED.



FOR
 ((FIXED IN PLACE))
 1/3 AND 1/2 LITER
 CLOSED SAMPLING SYSTEM

SEE DRAWINGS:

A-2562-179 & A-2562-184

FOR
 ((SELF CONTAINED))
 1/3 AND 1/2 LITER
 CLOSED SAMPLING SYSTEM

SEE DRAWINGS:

I-2562-183 & I-2562-182

GENERAL SPECIFICATIONS

SAMPLING TAPES..... 50, 75, 100 FT. & 15, 25, 30M, 37M LTHS.
 YELLOW FACED, TEFLON COATED, WITH SNAP
 HOOK FOR SAMPLE TUBE ATTACHMENT.

MAX. WEIGHT..... 14 LBS (6.5 KG).

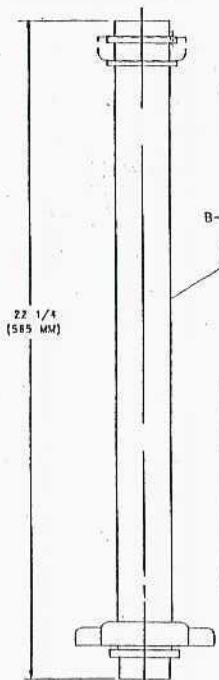
PRESS. LIMITS..... 3 PSI WORKING, 7.5 PSI TEST.

NOTE: SEE INSTRUCTION MANUAL FOR COMPLETE
 PARTS REPLACEMENT LIST.

22	'O'-RING, SEAL, INTERNAL, THREAD COUPLING END, VITON
21	GASKET, WIPER HOUSING COVER, BUNA-N / VITON
20	GASKET, REEL HOUSING COVER, BUNA-N / VITON / EDPM
19	SCREW, PAN HD., 'O'-RING SEALING TYPE, STN. STL.
18	LABEL, ULLAGE CORRECTION NOTICE
17	LABEL, FULL STOW TAPE REFERENCE READING
16	LABEL, TAPE REEL LOCKING INSTRUCTION
15	LABEL, GROUNDING INSTRUCTIONS
14	GROUNDING LUG, WITH GROUNDING CABLE (NOT SHOWN)
13	TAPE REEL WINDING HANDLE AND BRAKE LOCK
12	TAPE REEL WINDING DRUM ASSEMBLY, NYLON COATED
11	VAPOR RETURN HOSE CONNECTION, CHECK VALVE ASS'Y
10	CARRYING HANDLE, SWING-AWAY TYPE, NYLATRON
9	PRESS/VAC. PUSH BUTTON VENT VALVE ACTUATOR ASS'Y
8	SECONDARY SAMPLING TAPE SIGHT GLASS ASSEMBLY
7	PRIMARY SAMPLING TAPE SIGHT GLASS ASSEMBLY
6	SAMPLING TAPE WITH MOULDED GUIDE HEAD & SNAP HOOK
5	STUB BARREL, SAMPLING BARREL CONNECTOR (SEE DRAWINGS) NOTES
4	TAPE WIPER ASS'Y, REMOVABLE, STN. STL. W/VITON WIPER
3	TAPE WIPER HOUSING, ALUM. ANODIZED
2	HOUSING COVER, ALUM. NYLON COATED
1	SAMPLING TAPE, REEL HOUSING, ALUM. NYLON COATED

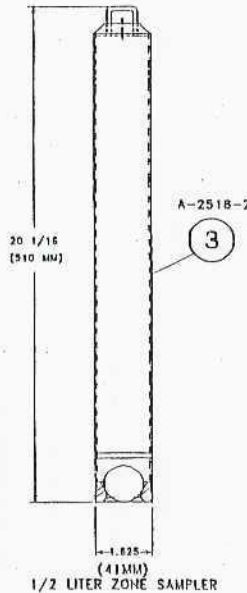
PT. NO.	DESCRIPTION	
TITLE		OUTLINE ASSEMBLY
		MMC CLOSED SAMPLING
		MAIN REEL HOUSING
DRAWN: F.S.G		DATE: 5/2/94
APP'D:		DATE:
		MMC INTERNATIONAL CORP INWOOD, NEW YORK
DWG. NO.		REV
S-2562-1S		

UNAUTHORIZED USE, MANUFACTURE OR REPRODUCTION IN WHOLE OR PART, IS STRICTLY PROHIBITED.



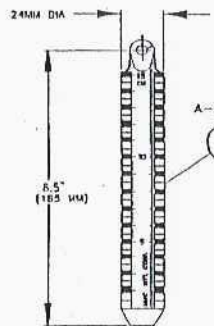
B-2562-171

(OPTIONAL EQUIPMENT) FOR TANK DRYNESS CHECKING
 REMOVE SAMPLING BARREL & SAMPLING TUBE SHOWN AS PT'S 2 & 3 ATTACH SOUNDING BOB A-2670-1 OR A-2670-2SS THEN ATTACH SOUNDING BARREL B-2562-171 TO PT. 1 FOR DRYNESS CHECKING



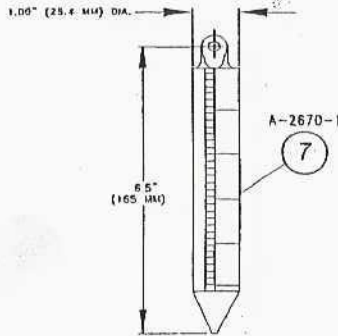
A-2518-2

1/2 LITER ZONE SAMPLER



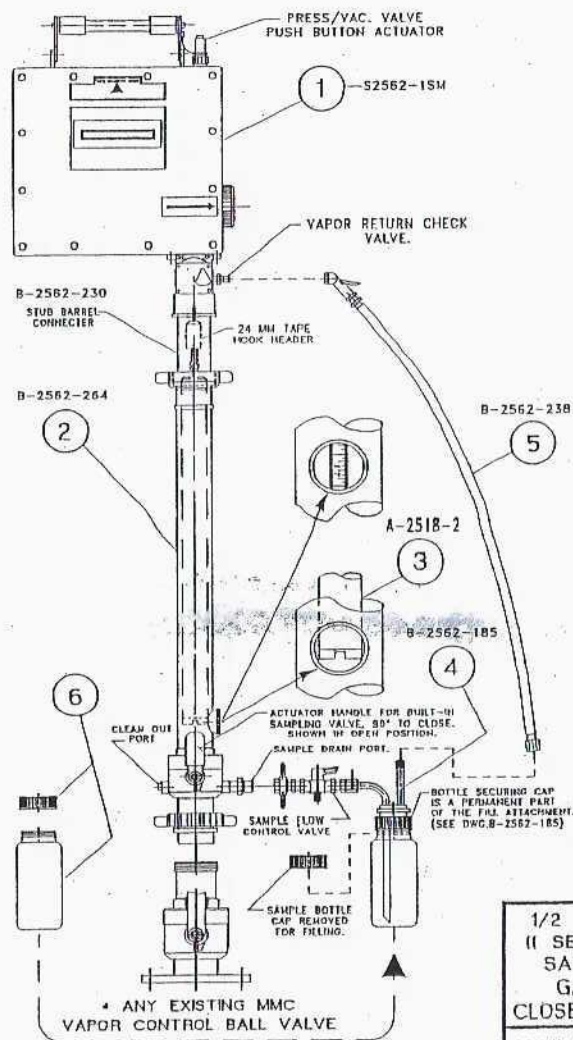
A-2670-2

24 MM BRASS TANK DRYNESS BOB



A-2670-1

6" BRASS INNAGE BOB, 25.5 MM DIA.



PRESS/VAC. VALVE PUSH BUTTON ACTUATOR

1 - S2562-15M

VAPOR RETURN CHECK VALVE.

B-2562-230 STUD BARREL CONNECTER

24 MM TAPE HOOK HEADER

B-2562-264

B-2562-238

A-2518-2

B-2562-185

ACTUATOR HANDLE FOR BUILT-IN SAMPLING VALVE. 90° TO CLOSE. SHOWN IN OPEN POSITION.

CLEAN OUT PORT

SAMPLE DRAIN PORT.

SAMPLE FLOW CONTROL VALVE

SAMPLE BOTTLE CAP REMOVED FOR FILLING.

BOTTLE SECURING CAP IS A PERMANENT PART OF THE FILL ATTACHMENT. (SEE DWG. B-2562-185)

* ANY EXISTING MMC VAPOR CONTROL BALL VALVE

BASIC SYSTEM COMPONENTS (PETROLEUM SERVICE)

1. CLOSED SAMPLING TAPE, STN STL. TAPE 30 METER STD. LENGTH.
2. SAMPLER BARREL WITH BUILT-IN SAMPLING VALVE & TAPE SIGHT PORT.
3. 1/2 LITER ALL STN STL. ZONE SAMPLER
4. SAMPLE BOTTLE FILL ATTACHMENT. PT # BTLFL-B2562-185.
5. VAPOR RETURN HOSE ASS'Y PT # HSEA2562-238SG
6. (1 PC) 1/2 L. SAMPLE BOTTLE, FHDPE. PK'S 6, 8, 12 PER CARTON. WITH INDIVIDUAL SELF SEALING CAPS.
7. STANDARD API 6" BRASS BOB, 25.4MM A-2670-1, METRIC OR ENGLISH MARKINGS
8. CARRYING CASES, HARD, 1 PC FOR PT. 1 AND 3, 1 PC FOR PARTS 2, 4, 5, & 7 OR PT. 9 AND 10, SEE BELOW NOTES.
9. SOUNDING/INNAGE ATTACHMENT BARREL FOR SELF CONTAINED SAMPLING SYSTEM, B-2562-171 FOR USE WITH 50 OR 25 MM BORE VAPOR VALVES.
10. 24MM DIA. STAINLESS STEEL INNAGE BOB, 150MM SCALE, A-2670-2SS.

FOR TANK DRYNESS CHECKING ADD PT. 9 OMT PT. 7, AND REPLACE WITH PT. 10

INSTRUCTION MANUAL PACKED WITH PT. #1 CARRYING CASE

APPLICABLE VAPOR VALVE LIST

(1 MMC TYPE) (OTHERS VALVE TYPES)
 B, MB, F50, C50 'IS' WITH ADAPTOR
 MJ580, PT# S2562IS-CPL-SHT
 W/O ADAPTOR.

1/2 LITER PORTABLE ((SELF CONTAINED)) SAMPLING SYSTEM GAS TIGHT FOR CLOSED SYSTEMS APPL.

PETROLEUM SERVICE SAMPLING SYSTEM

MMC INTERNATIONAL CORP
 INWOOD, NEW YORK

DRAWN: F.S.G DATE: 05/19/06
 APP'D: DATE:

DWG. NO. REV
 B2562-182-PET