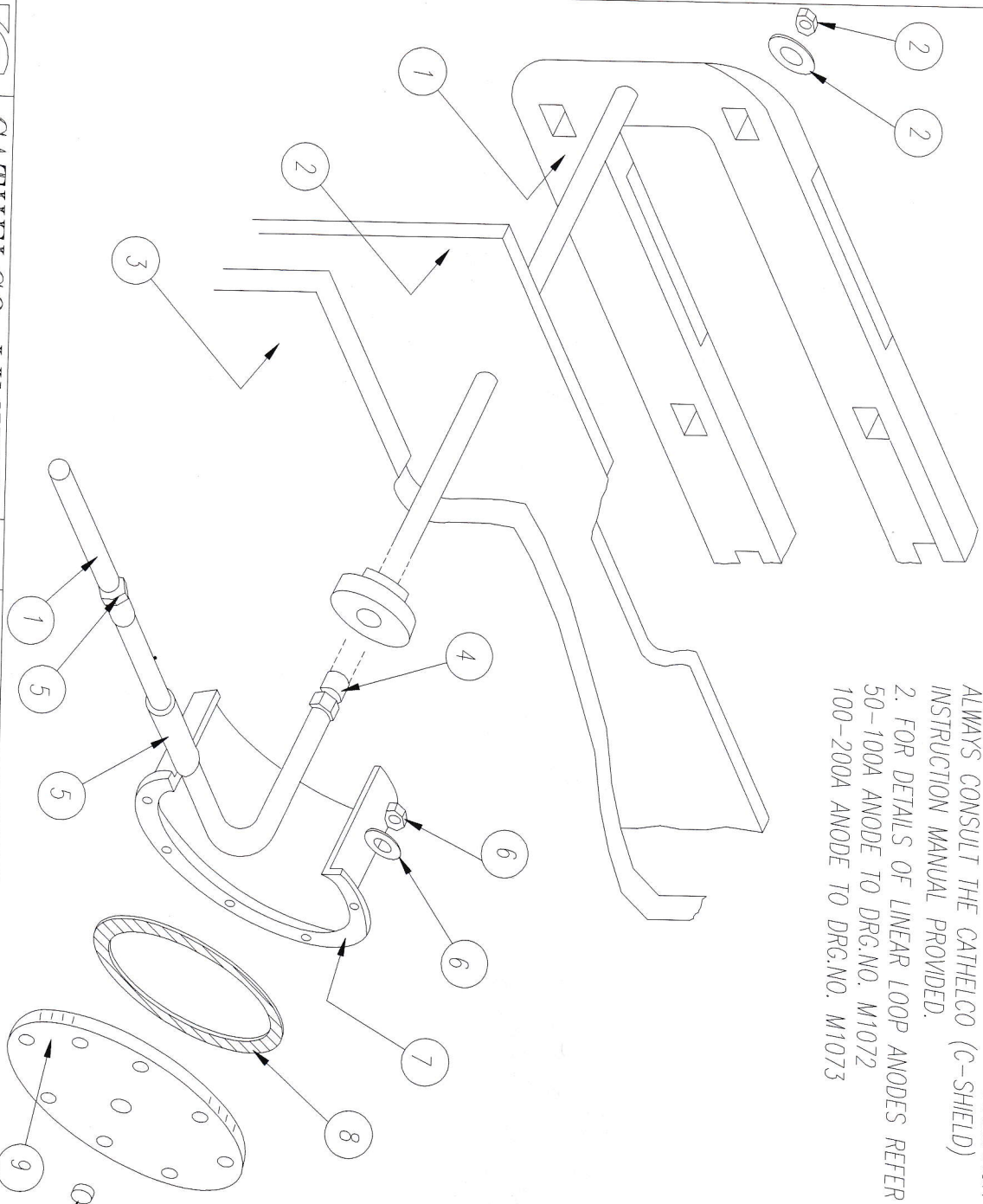


- NOTES:
- BEFORE ATTEMPTING ANY ANODE INSTALLATION ALWAYS CONSULT THE CATHELCO (C-SHIELD) INSTRUCTION MANUAL PROVIDED.
 - FOR DETAILS OF LINEAR LOOP ANODES REFER TO: 50-100A ANODE TO DRG.NO. M1072
100-200A ANODE TO DRG.NO. M1073



ITEM No.	DESCRIPTION
1	50A TO 200A TYPE MMO/TI LINEAR LOOP ANODE (SEE NOTES). ANODES SUPPLIED C/W 3m OF 35mm CORE CABLE TO BS 638 (FLEXIBLE)
2	ANODE MOUNTING EITHER A) STUDS WELDED DIRECTLY TO HULL PLATE. BY YARD B) STUDDED MOUNTING PLATE. BY CATHELCO
3	HULL PLATE WITH RECESS FOR INSERTION OF HULL BOSS
4	SINGLE ENTRY HULL BOSS C/W SUITABLE SIZED BRASS CABLE GLAND
5	CABLE GLAND MOUNTING SLEEVE C/W BRASS CABLE GLAND
6	M20 BOLTING ASSY X8~COFFERDAM
7	6" N/B COFFERDAM HOUSING
8	NEOPRENE SEALING GASKET FOR COFFERDAM ASSY
9	6" BLANK FLANGE TO FORM TOP COVER FOR COFFERDAM ASSY
10	BRASS PLUG FOR COFFERDAM INSPECTION OR FILLING



CATHELCO LIMITED
MARINE HOUSE, 18 HIPPER STREET SOUTH,
CHESTERFIELD, DERBYSHIRE, S40 1SS, UK.

REV:	DATE:	MODIFICATION:
1	19/04/01	RE-DRAWN IN AUTOCAD

TITLE:
EXPLODED DIAGRAM OF 50A TO
200A MMO/TI LINEAR LOOP ANODE

PA NO:	DATE:	SCALE:
DRAWN: JRH	29:09:94	NTS
CHECK: DP	DRG NO: M 1109	REV: 2