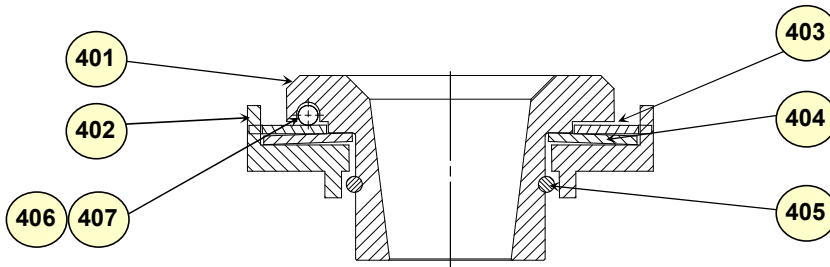
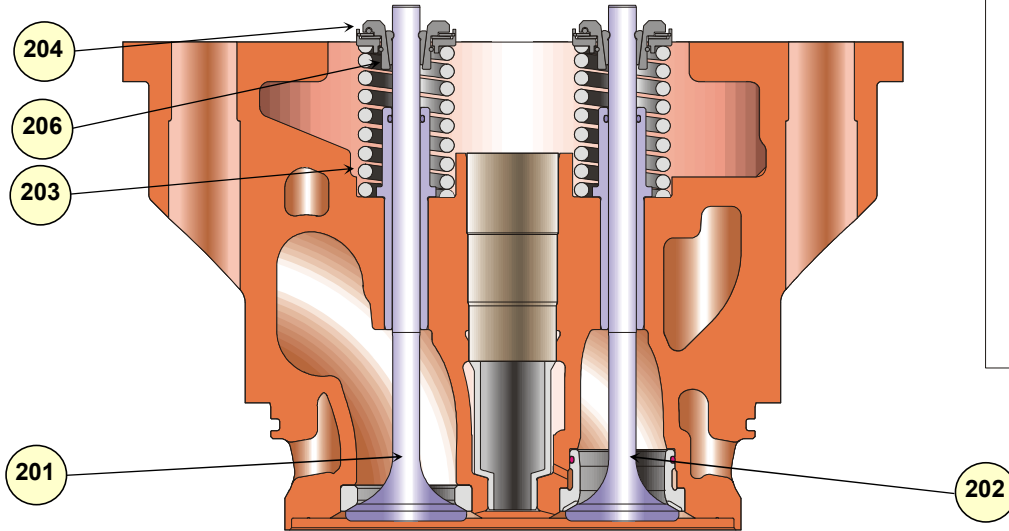


Intake & Exhaust valve Ass'y	Assembly Drawing & Part List
흡기 및 배기밸브 어셈블리	조립도 및 부품 목록



### Part List

Item No.	Description	Q'ty / Cyl.	Weight (kg)	Remarks / See Note
201	Inlet valve spindle	2	0.6	
202	Exhaust valve spindle	2	0.5	
203	Valve spring	4		
204	Roto cap	4		
206	Conical clamping piece	4		
401	Body	4		
402	Retainer	4		
403	Bearing seat	4		
404	Disc spring	4		
405	Stop ring	4		
406	Steel ball	24		
407	Coil spring	24		