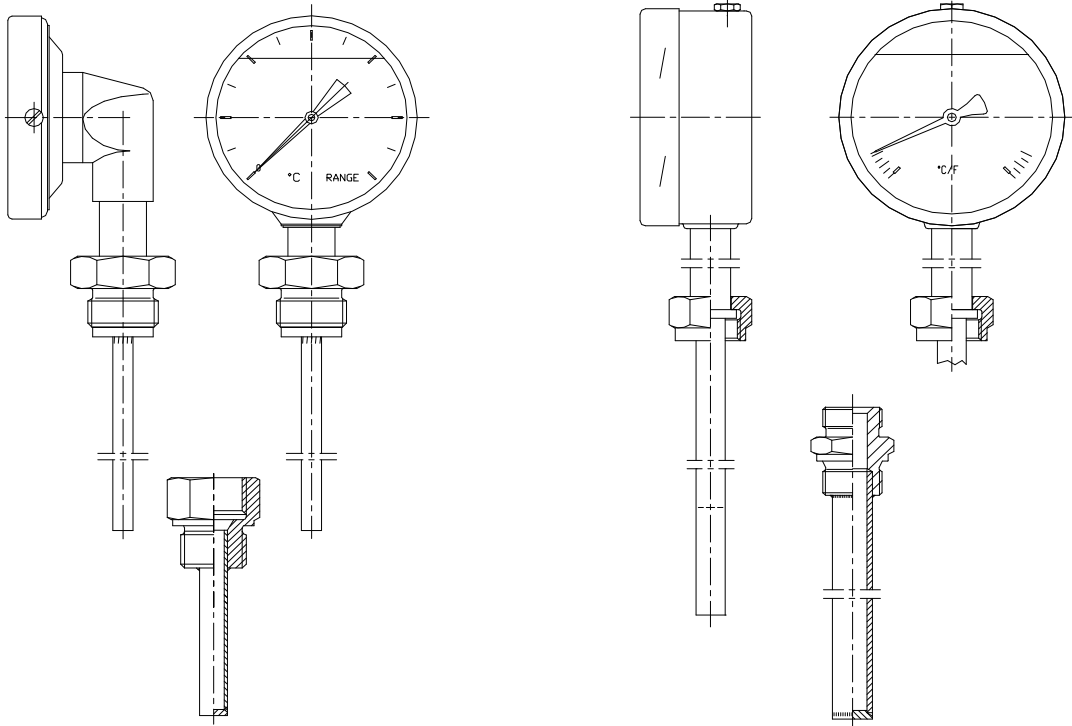


		H17/28	Page 1/2
Thermometers	Assembly Drawing & Part List	Section No.	Rev.
온도계	조립도 및 부품 목록	S45101	1A



V-type (A)

V-type (B)

Part List

Item No.	Description	Q'ty / Eng.	Weight (kg)	Remarks / See Note
101	Thermometer (PF1/2x200 °C x60L)	*		V-type (A)
102	Thermometer (PF1/2x120 °C x60L)	*		
103	Thermometer (PF1/2x120 °C x80L)	*		
104	Pocket (50L)			
105	Pocket (70L)			
106	Thermometer (PF3/4x650 °C x100L) with pocket	*		V-type (B)

* Please see "piping diagram on final plan" for the application of local thermometers.