

DETAIL OF MTE AIR DRYER

1. FEATURES

TYPE	: ELECTRIC REFRIGERATED
MODEL	: MAX - 08
OPERATING PRESSURE	: 7kg/cm ²
CAPACITY (FREE AIR)	: 80 NM ³ /HR
WEIGHT	: 110.0kg
INLET AIR TEMPERATURE	: AbT 50°C
OUTLET AIR TEMPERATURE	: AbT 18°C
AMBIENT AIR TEMPERATURE	: 45°C
PRESSURE DROP	: 0.2kg/cm ²
PRESSURE DEW POINT	: 5 °C
REFRIGERATION COMPRESSOR (PISTON, HERMETIC TYPE)	: 1/2 HP, AC 220V 60HZ 1Ø
PAN MOTOR	: 16 W
PAINT COLOR	: MUNSELL NO 7.5 GY 7/4.5

2. DIMENSION (mm)

TOTAL LENGTH	: REFER TO G/A
TOTAL WIDTH	: REFER TO G/A
TOTAL HIGHT	: REFER TO G/A
AIR CONNECTION	: JIS 10K - 25A FLANGE TYPE
CABLE GLAND & ELECTRIC WIRE CONNECT	: DPYC 1.5 SQ, 15C,20C

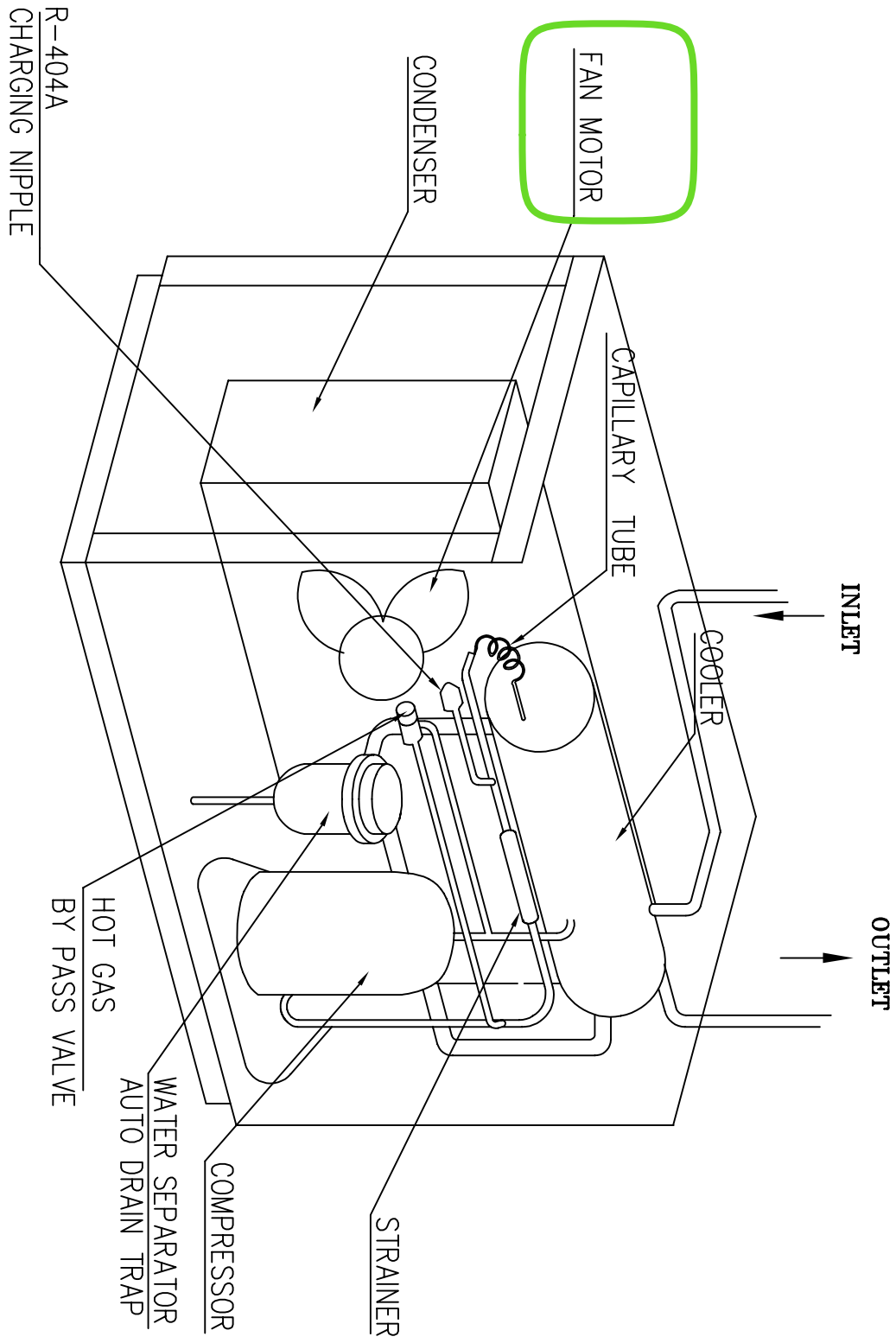
3. ACCESSORIES

REFRIGERANT	: R-404a
CONDENSER	: ABT 1,200 Kcal (AIR COOLED TYPE)
CONDENSATE DISCHARGE	: AUTOMATIC DRAIN TRAP

5. LIST OF DRAWINGS & DIAGRAM

- 1) GENERAL ARRANGEMENT
- 2) SECTION
- 3) PIPING DIAGRAM
- 4) WIRING DIAGRAM

6. SPARE PART LIST



R-404A
CHARGING NIPPLE

3RD ANGLE (UNIT (mm))		SCALE		NONE		PROJECT :	
MODEL	W/D	CAPACITY		DATE		AIR DRYER	
AIR DRYER	MAX TYPE	HP/W		DR. 10. 11.		DWS NAME :	
DRAWN	DESIGN	CHECK		APPROVED		GENERAL ARRANGEMENT/ SCHEMATIC DRAWING	

Marine Technical Eng. Co., Ltd.