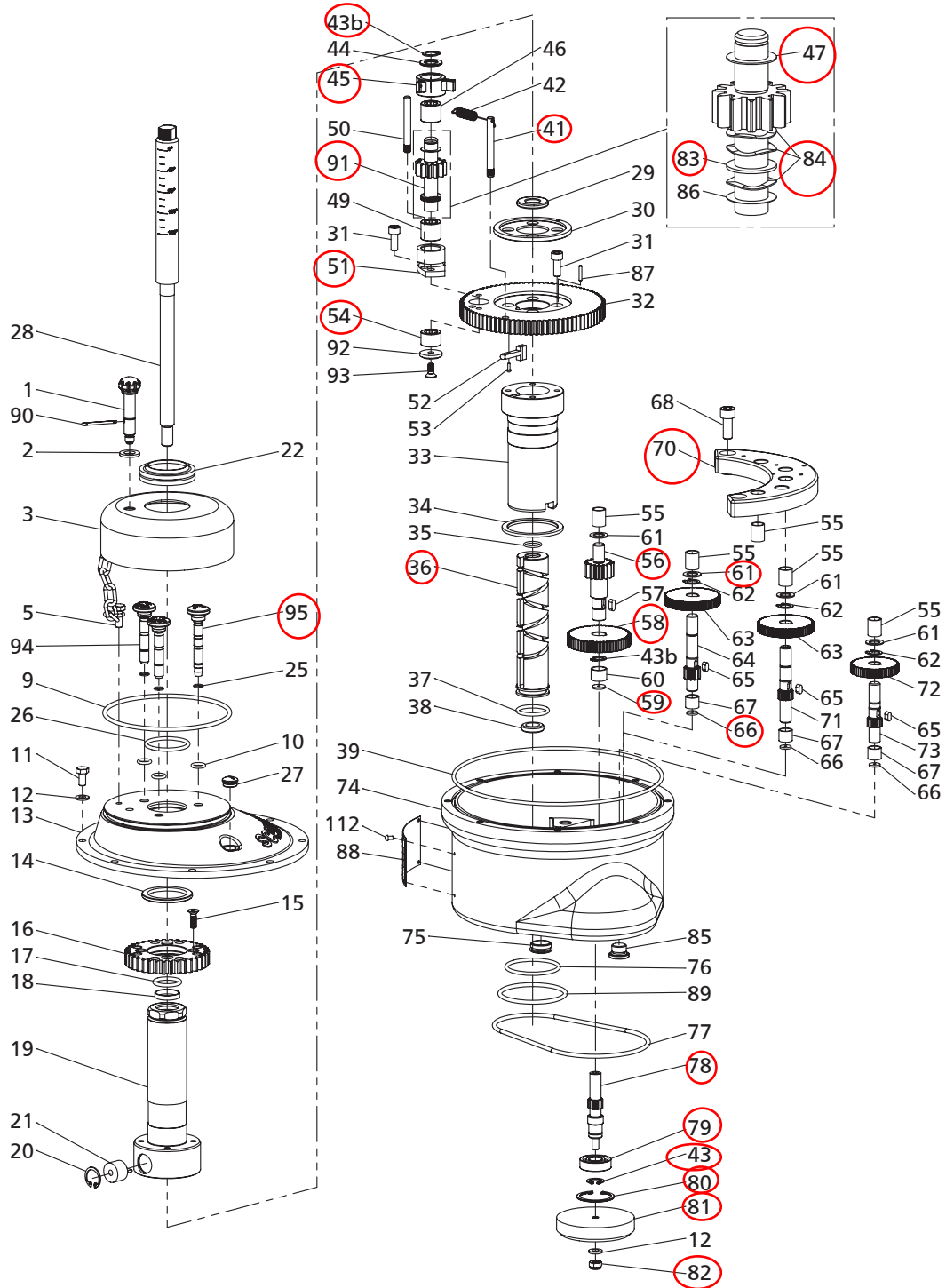


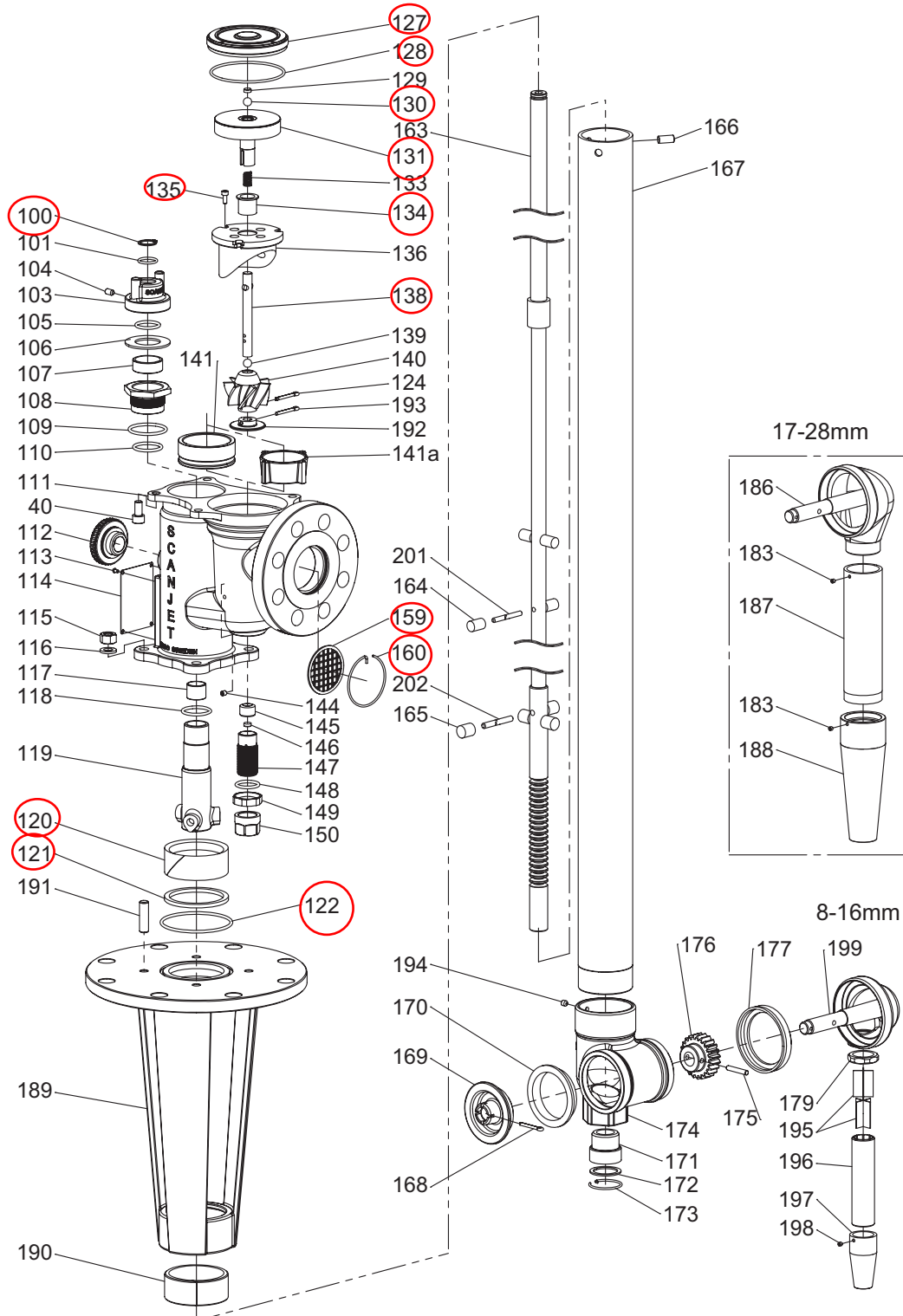
13. Exploded Drawing View - Drive Unit SC280

List dated 2012-06-27



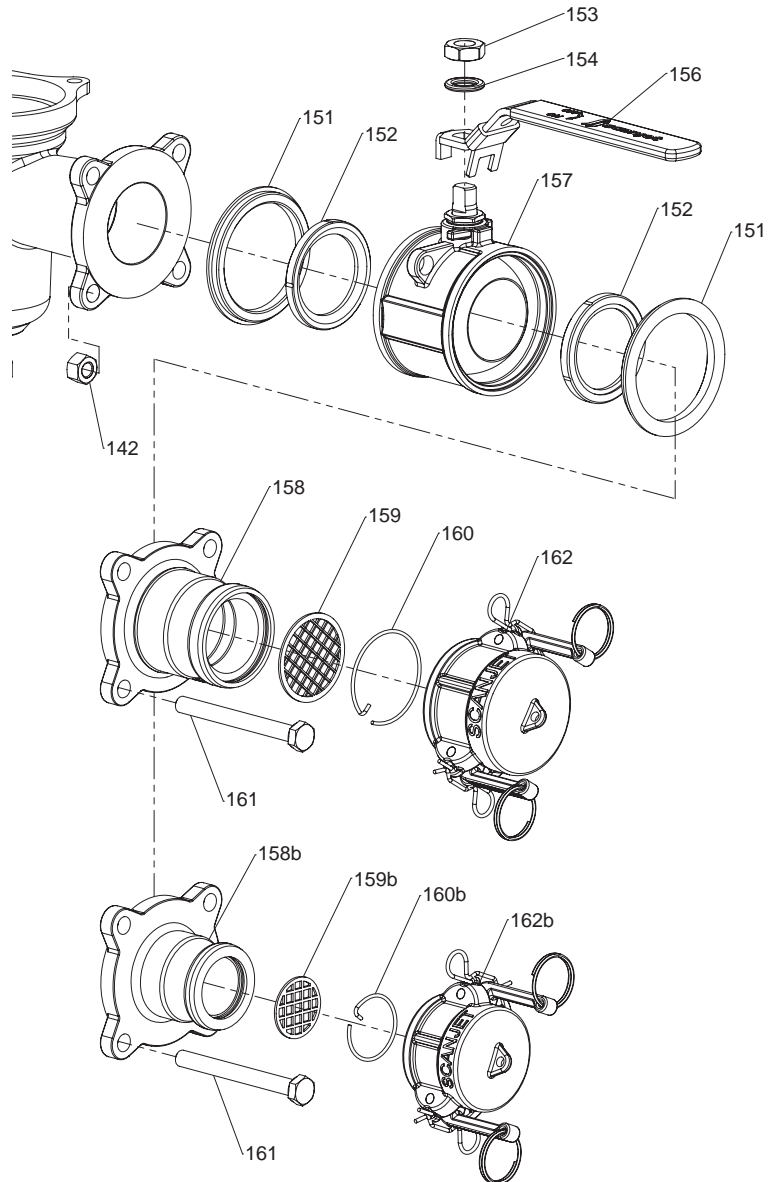
14. Exploded Drawing View - Gun Unit SC 30T

List dated 2012-06-27



15. Exploded Drawing View - Valve and connection

List dated 2012-06-27





16. Spare Parts List - SC 30T

List dated 2012-06-27

NOTE! Spare parts number may be changed without prior notice. Final spare parts numbers will be issued for "ship set manual".

Depending on nozzle size there is some parts that differ. See chapter "18. Basic Settings" on page 48 for information about your specific settings.

Spare Part List - SC 30T

Pos.	Part No.	Qty.	Description
1	30064	1	Fixing Shaft
2	30065	1	Washer
3	30056	1	Complete Protective Cover Assembly Including pos. 1, 2, 4 & 22
5	104443	1	Bolt
9	110035	1	O-ring
10	108730	3	O-ring
11	104441	8	Screw
12	106104	9	Washer
13	30002-1111	1	Cover 1,5° Complete with O-rings, shafts and bearings
	30002-1121	(1)	Cover 2,5° Complete with O-rings, shafts and bearings, Optional
	30002-3111	(1)	Cover 1,5° Complete with O-rings, shafts and bearings, Composite version
	30002-3121	(1)	Cover 2,5° Complete with O-rings, shafts and bearings, Composite version, Optional
14	30038	1	Bearing
15	104862	4	Screw
16	30049	1	Gear
17	120258	1	O-ring
18	20083	1	Guide Sleeve
19	30051	1	Driving Sleeve Incl. Pos 17,18
20	103261	1	Retaining Ring
21	20089	1	Guide Pin/Ruler
22	30067	1	Sealing

Spare Part List - SC 30T

Pos.	Part No.	Qty.	Description
25	120347	3	Retaining Ring
26	120259	1	O-ring
27	120348	1	Plug
28	20084	1	Coupling shaft
29	20062-2	1	Washer
30	30036	1	Washer
31	104741	6	Screw
32	30052	1	Gear Incl. Pos 52, 53, 54 & 87
33	30034	1	Coupling Sleeve
34	30026	1	Bearing Washer
35	109211	1	O-ring
36	20064	1	Continuous Screw Incl. Pos. 35, 37, 38
37	108765	1	O-ring
38	20085	1	Washer
39	108806	1	O-ring
40	104758	4	Screw
41	30069	1	Pin
42	25076	1	Spring
43	106210	1	Retaining Ring
43b	103110	2	Retaining Ring
44	30068	1	Washer
45	30053-1	1	Feeder Arm Assembly 1,5/3/4,5 Incl. Pos 46
	30053-2	(1)	Feeder Arm Assembly 2,5/5/7,5 Incl. Pos 46, Optional
46		1	Freewheel Order Pos. 45
47	120278	1	Washer
49		1	Freewheel Order Pos. 51
50	30073	1	Pin
51	30054	1	Bearing Housing Assembly Incl. Pos. 49
52	20091	1	Key
53	102470	1	Rivet
54	120312	1	Bearing
55	120342	5	Bearing
56	30044	1	Gear Shaft



Spare Part List - SC 30T

Pos.	Part No.	Qty.	Description
57	103615	1	Key
58	30048	1	Gear
59	30028	1	Washer
60	120343	1	Bearing
61	120286	4	Washer
62	103108	3	Retaining Ring
63	30047	2	Gear
64	30043	1	Gear Shaft
65	103614	3	Key
66	30027	3	Bearing
67	120341	3	Bearing
68	104641	2	Screw
70	30055	1	Bearing Support Assembly Incl. Pos. 55 (5 pcs.)
	30255	(1)	Bearing Support Assembly, Composite version Incl. Pos. 55 (5 pcs.)
71	30042	1	Gear Shaft
72	30046	1	Gear
73	30041	1	Gear Shaft
74	30001-11	1	Bottom Part Blue Incl. Pos. 60, 67 (3 pcs.)
	30256	(1)	Bottom Part Blue Incl. Pos. 60, 67 (3 pcs.) Composite version
75	120311	1	Plug
76	120262	1	O-ring
77	109042	1	O-ring
78	30040	1	Gear Shaft
79	106927-2	1	Ball Bearing
80	106260	1	Retaining Ring
81	20047	1	Upper Magnet Assembly
82	105964	1	Nut
83	120279	1	Washer
84	30127-1	3	Washer
85	120306	1	Drainage plug
86	120277	1	Washer



Spare Part List - SC 30T

Pos.	Part No.	Qty.	Description
87	102922	1	Expanding Pin
88	70100	1	Plate
89	109008	1	O-ring
90	106562	1	Splitpin
91	30045-2	1	Gear Shaft
92	30057	1	Brake Washer
93	104950	1	Bolt
94	30103-xx	3 (2)	Program Shaft Acc. to order
95	30103-xx-P	(1)	Program Shaft Prewash Optional
100	120305	1	Retaining Ring
101	109440	1	O-ring
	110532	(1)	O-ring Kalrez Optional
103	30018	1	Top Nut Assembly Incl. Pos. 101, 104, 105
104	105104	1	Bolt
105	109264	1	O-ring
	110535	(1)	O-ring, Kalrez Optional
106	30021	1	Bearing
107	30023	1	Bearing
108	30009	1	Sleeve Assembly Including 109, 110
109	109275	1	O-ring
110	109268	1	O-ring
111	30111-xx	1	Inlet Housing Acc. to order
112	30270	1	Plug
113	106509	8	Rivet
	120559	(4)	Rivet (for drive units in composite material)
114	70104	1	Plate
115	105926	4	Nut
116	106148	4	Washer
117	30020	1	Bearing
118	109268	1	O-ring
	110536	(1)	O-ring Kalrez Optional
119	30016	1	Turning Shaft
120	50024	1	Bearing

Spare Part List - SC 30T

Pos.	Part No.	Qty.	Description
121	50072	1	Gasket Teflon
122	109285	1	O-ring
124	106576	1	Splitpin
127	30008	1	Cover Assembly Including 128, 129, 200
128	120260	1	O-ring
129		1	Bearing
130	120295	1	Precision Ball
131	20006	1	Lower Magnet Assembly
133	20104	1	Spring
134	20017	1	Bearing
135	104713	3	Screw
136	20016	1	Turbine Housing
138	30007	1	Turbine Shaft Assembly Including 139
139		1	Precision Ball
140	20013-xx	1	Turbine T1 Acc. to order
	21013-xx	(1)	Turbine T2 Acc. to order
	21015-xx	(1)	Turbine T3 Acc. to order
141	30024-xx	1	Turbine Cone ("xx" is down inner diameter) Acc. to order
	30316-xx	(1)	Turbine Sleeve ("xx" is down inner diameter) Acc. to Order
142	105926	4	Nut
144	105095	1	Screw
145	20015	1	Bearing Order pos. 147
145a	20015-3	1	Bearing Order pos. 147a
146	20007	1	Bearing Order pos. 147
146a	20021	1	Bearing Order pos. 147a
147	20005-1	1	Adjusting Sleeve (Nozzle $\leq \varnothing 18\text{mm}$) Including pos. 145, 146
147a	20005-2	1	Adjusting Sleeve (Nozzle $\geq \varnothing 20\text{mm}$) Including pos. 145a, 146a
148	109263	1	O-ring
149	20026	1	Nut
150	20025	1	Cup

Spare Part List - SC 30T

Pos.	Part No.	Qty.	Description
151	120380		Complete Sealing Kit for 2" ball valve
152		2	Valve Seat Order pos. 151
153	120366	1	Nut
154	120365	1	Spring Washer
156		1	Handle Order pos. 157
157	120373	1	Valve Body Complete Assembly
158	70069-1	1	Camlock Male 2"
158b	70069-5	1	Camlock Male 1½"
159	70066	1	Strainer (for Camlock Male 2")
159b	70068	1	Strainer (for Camlock Male 1½")
160	70098	1	Expansion Ring (for Camlock Male 2")
160b	41038	1	Expansion Ring (for Camlock Male 1½")
161	104493	4	Screw
162	120230	1	Dust Cup Complete (for Camlock Male 2")
162b	120355	1	Dust Cup Complete (for Camlock Male 1½")
163	30022-xxx	1	Lifting Rod (-xxx is length of rod) Acc. to order
164	50048	4	Distance
165	50051	4	Distance
166	50020	3	Bolt, Turning Shaft
167	50012-xxx	1	Main Pipe ("xxx" is length of pipe) Acc. to order
168	106576	1	Splitpin
169	70037	1	Thrust Bearing
170	70036	1	Teflon Bearing
171	50063	1	Bottom Bushing
172	50064	1	Washer
173	50066	1	Expansion Ring
174	30129	1	Bottom Housing
175	104233	1	Pin Included in 186 or 199
176	50025	1	Gear Included in 186 or 199
177	50015	1	Bearing
179	70011	1	Nut
183	105087	2	Screw (Nozzle ≥Ø18 mm)

Spare Part List - SC 30T

Pos.	Part No.	Qty.	Description
186	30228-M38	1	Nozzle Housing (Nozzle $\geq\varnothing 18$ mm) Including 175, 176
187	50114	1	Nozzle Tube (Nozzle $\geq\varnothing 18$ mm)
188	50115-xx	1	Nozzle ($\geq\varnothing 18$ mm, "xx" is outlet diameter)
189	30118-xx	1	Deck flange with support
190	30122	1	Bearing
191	120266	4	Pin Bolt
192	30319-37	1	Flow Washer Acc. to order
193	106576	1	Splitpin Acc. to order
194	105102	1	Screw
195	50158	2	Flow Guide
196	50156-100-L	1	Nozzle Tube (Nozzle $\leq\varnothing 11$ mm)
	50156-150-L	1	Nozzle Tube (Nozzle $\geq\varnothing 12$ mm)
197	50155-xx	1	Nozzle ("xx" is outlet diameter)
198	105087	1	Bolt
199	30228-M25	1	Nozzle Housing Assembly Incl. 175, 176
201	50055	2	Centring Shaft
202	50056	2	Centring Shaft