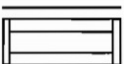
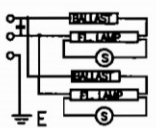
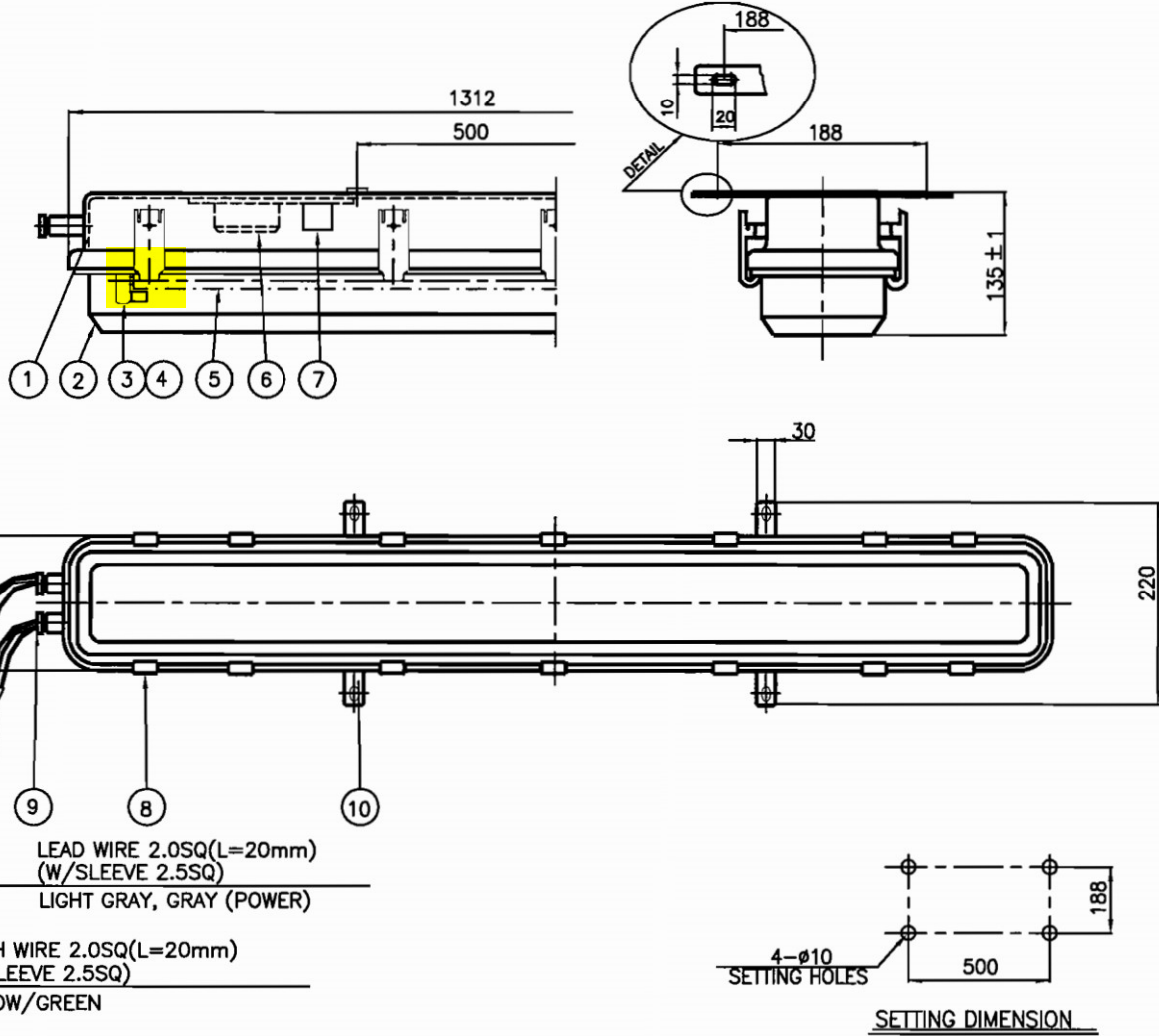



CAPACITY	SYMBOL/ SERIAL NO.	CIRCUIT DIAGRAM
AC 220V, 60Hz		
40W x 2		



					5	LAMP	-	2	
9	CABLE GLAND	BRASS	2	ø14-17.5	4	GLOW LAMP HOLDER	POLYCAR-BONATE	2	
8	LATCH	SUS316	14		3	LAMP HOLDER	POLYCAR-BONATE	2	
7	CONDENSER	-	1	AC250 8uF	2	GLOBE	POLYCAR-BONATE	1	
6	BALLAST	-	2		1	BODY	SUS316	1	
NO	NAME OF PARTS	MATERIAL	Q'TY	REMARKS	NO	NAME OF PARTS	MATERIAL	Q'TY	REMARKS

APPROVED	H. H. LEE	UNIT	MM	TITLE; FLUORESCENT CEILING LIGHT (SURFACE TYPE) FOR MARINE USE
CHECKED	B. K. KIM	SCALE	N/S	
DRAWING	T. R. SON	COLOR	N-9.3	
DATE	2003.01.02	IP	67	

	MODEL NO.	FL240WS-0206GIUWNM2H	WEIGHT	6.6kg
	DWG NO.	L11480186	SHEET NO.	53