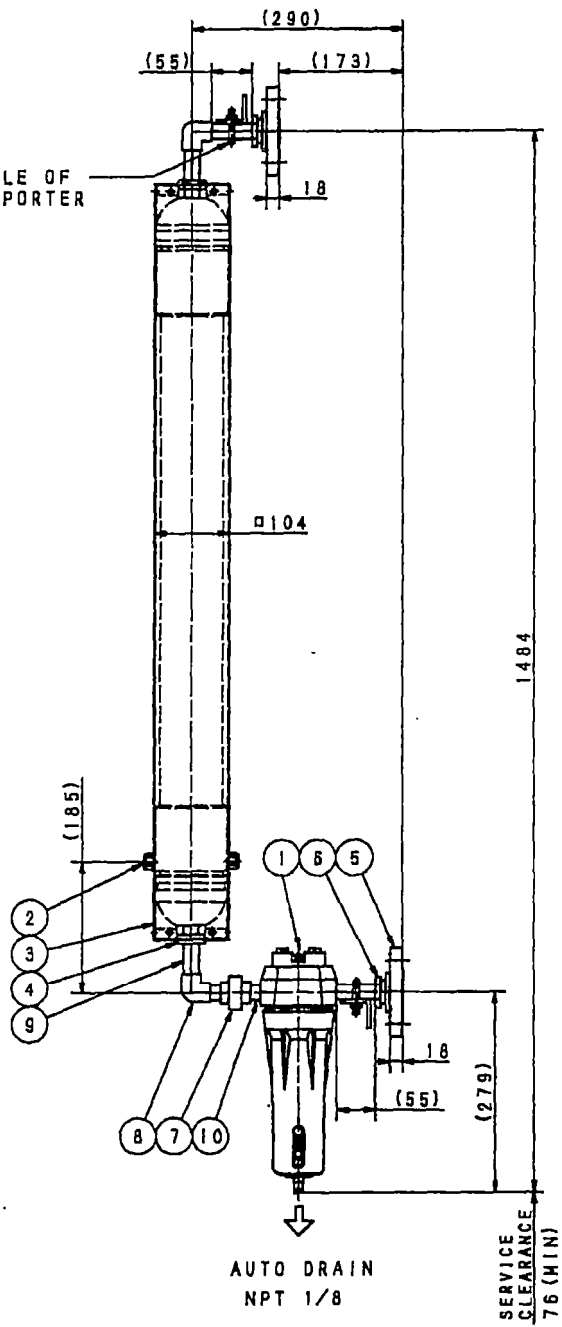
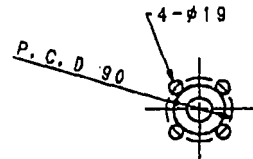


REV. NO.	REVISIONS	DATE	BY
8	RENAME	030527	T. K.



P. NO.	DESCRIPTION	MATERIAL	QTY.	REMARK
1	NI FILTER		1	NI-AN2-15A-0PL
2	MEMBRANE DRYER	15A	1	NI-HMD20-5
3	COVER	SECC	1	
4	GROMMET	NBR	2	
5	FLANGE	FC200	2	JIS10K-25A
6	BUSHING	FCMB270	2	25A-15A
7	UNION	FCMB270	1	15A
8	ELBOW	FCMB270	2	15A
9	LONG NIPPLE	SGP	4	15A x 75 ^A
10	NIPPLE	SGP	2	15A x 34 ^A



DESIGNER: H. Kuroki	NI-HMD20-5BF
CHECKER: B. Shibata	
SCALE: 1.0E	MEMBRANE DRYER KIT
DRAWN: 1.0E	
	NIHON SEIKI CO., LTD.
SCALE: 1/5	DATE: 02.03.28
PART NO. NYDG+0014-1B	

Y-52069